



DAIKO

<http://www.age.ne.jp/x/kono/>

ADJUSTABLE TABLE COMPASS
 卓上修正式(下部照明式)
 Under-lighting

※TABLE COMPASS (形式承認品)



承認番号	Model	Card	Dia. (mm)	A (mm)	B (mm)	C (mm)	W (kg)
H. K	T-100SLK	100	4"	326	390	206	9
第1958号	T-130SLK	125	5"	330	420	252	10
第1959号	T-150SLK	150	6"	360	460	280	15
第1970号	T-165DLK	165	6.5"	390	590	320	17
第1971号	T-180DLK	175	7"	390	590	320	17

標準付属品付 (Each unit is provided with standard accessories)

下部照明式 (Bottom-lighting, AC/DC 24V)

非常用電源切換スイッチ付 (Wigh switch for emergency power)

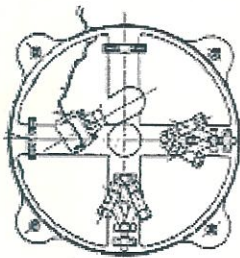
※TABLE COMPASS (未検品)



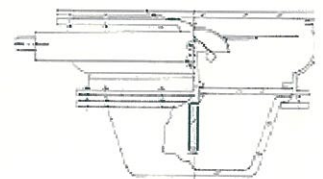
Model	Card	Dia. (mm)	A(mm)	B(mm)	C(mm)	W(kg)
T-100SL	100	4"	326	390	206	9
T-130SL	120	5"	330	420	252	10
T-150SL	150	6"	360	460	280	15
T-165SL	165	6.5"	390	590	320	17
T-180SL	175	7"	390	590	320	17

標準付属品付 (Each unit is provided with standard accessories)

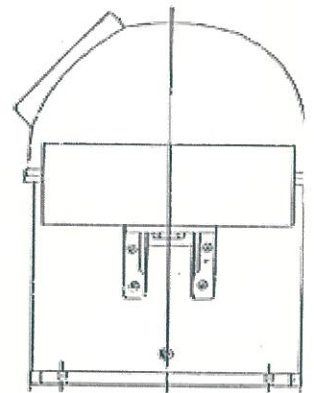
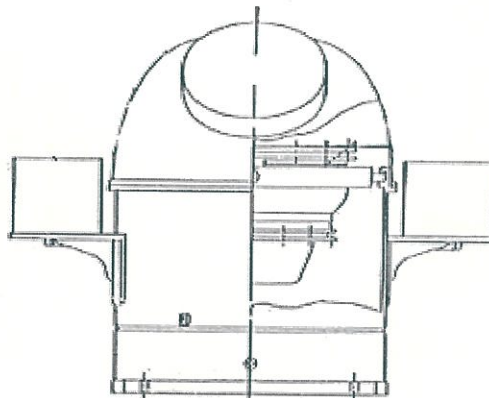
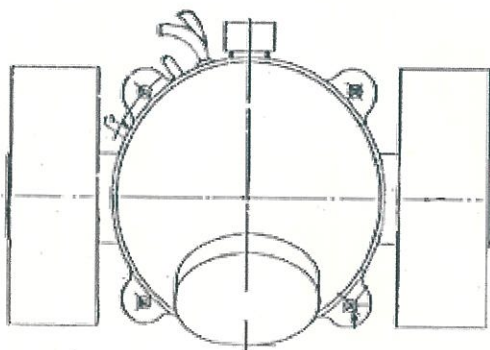
下部照明式 (Bottom-lighting, AC/DC 24V)



Compass Bowl
羅 盆



Bowl





DAIKO

REFLECTOR COMPASS

反射式磁気コンパス

SR-150PK
SR-150PKK (H.K.)
SR-165PS
SR-165PSK (H.K.)



SR-165PS
SR-165PSK

SR-150PK
SR-150PKK

Reflector Compass Type SR-150PK SR-150PKK(H.K.) SR-165PS SR-165PSK(H.K.) is installed upon the flying bridge deck and can be seen in the wheelhouse for both standard compass and steering purposes.

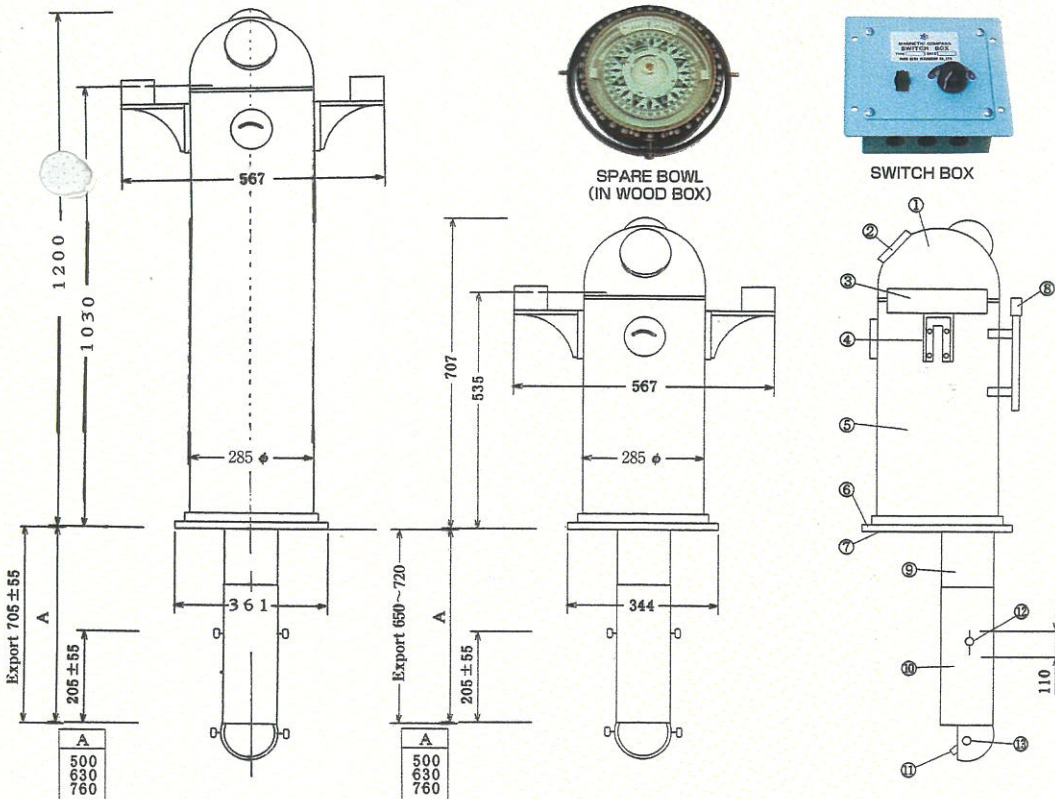
The binnacle has an optical equipment by which the graduation of the card can be reflected on the lower part of the inner pipe. This avoids the bad effect due to other magnetic substances also saves the space in the steering room.

By increasing the magnification on the reflected graduation using the built-in room lens, reflector compass surpass the conventional compass.

Card graduation 000° ~360°

<u>Accessories</u>	
CORRECTOR PLATE	1 set
FLINDERS BAR	1 set
SHADOW PINS	1 set
PACKING	1 set
SWITCH BOX	1 set
<u>Spare Parts</u>	
MIRROR	
LAMP(DC24V/10W)2	
CLEANING CLOTH	1
ANTI-CLOUD OIL	1

Option :
AZIMUTH CIRCLE



- ① HELMET
- ② PEEP WINDOW
- ③ CORRECTOR BOX
- ④ BRACKET
- ⑤ BINNACLE
- ⑥ BASE FLANGE
- ⑦ PACKING
- ⑧ FLINDERS BER CASE
- ⑨ INNER PIPE
- ⑩ OUTER PIPE
- ⑪ MIRROR
- ⑫ FINGER SCREWS
- ⑬ FINGER SCREWS

Specifications subject to change without notice.

DAIKO KEIKI SEISAKUSYO CO., LTD.